

ITI-SR750-V

Long range vision system

PERFORMANCES/DRI

▶ Day channel:

- Detection:

- Human: 15 km
- Vehicle: 19 km

- Recognition:

- Human: 8 km
- Vehicle: 12 km

- Identification:

- Human: 5 km
- Vehicle: 8 km

Johnson criteria @50% (standard conditions): Human size: 1,75 m x 0,75 m / vehicle: 2,3 m x 2,3 m.



PRODUCT DATA



Applications:

- ▶ Long range surveillance
- ▶ Border control
- ▶ Law enforcement
- ▶ Maritime control
- ▶ Embedded



Advantages:

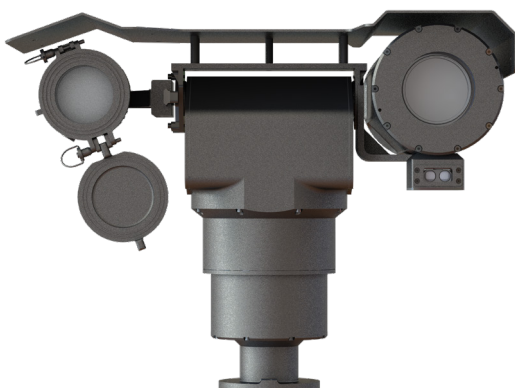
- ▶ ITAR FREE
- ▶ High magnificant
- ▶ Modular and scalable system

DESCRIPTION

The ITI-SR750-V is designed for on-board use on land vehicles or on buildings (fixed installation).

It allows a continuous day/night surveillance. The ITI-SR750-V displays excellent performance in all long, medium and short range applications.

Thanks to its high technological innovations and the integration of a last generation sensor coupled with a powerful zoom, the ITI-SR750-V will allow you to maintain high performances while reducing the costs of operational maintenance.



INFORMATIONS

- ▶ **Warranty:** 24 months, under normal use of the product.

TECHNICAL DATA

ITI-SR750-V	Optronics
SR750-V	
Sensor	
Type of vision	Colors
Application	Day & Night (level 2)
Technology	PHOTONIS CMOS Low light capability Rolling Shutter
Resolution	1 280 x 1 024 px
Sensitivity	40 mLux
Spectral band	360 - 1 100 nm
Optical	
Aperture (F/D)	F4,5 to F48
Optical zoom	Up to x 33
Digital zoom	Up to x 4
Focale / H. FOV	23 - 750 mm / 0,95° - 30,6°
Iris function	Yes (Auto Iris)
Focus	Manual & Auto
Functions	Parking position, Defrost, Range-finder, Night/day mode, Reticle, Auto contrast
Video	
Output format	HD - SDI 720P & IP (H.264 / 50 Hz)
Control	
Data	IP
Electrical specifications	
Supply	18 to 32 Vdc
Power	7 W (typic)
RANGEFINDER	
Precision	0,01 to 1,5 km
Wavelength	905 nm
Measuring capacity	Up to 3 km (@50%)
Standard	Eye safe (EN60825-1: 2014) (IEC 60825-1: 2014) Laser class 1
Frequency	1, 4, 10, 20 Hz
PAN/TILT	
Motion	Pan: - 182° to + 182° Tilt: - 10° to + 60°
Speed	0 - 30°/sec

Designed and made in FRANCE

Accuracy	0,1°
Supply	24 Vdc/300 W
HEADLIGHT	
IR filter	780 or 850 nm
Illumination beam	6° / 20°
Color	4 300 K
ITI-SR750-V (complete system)	
Dimensions, weight & fixing	
Dimensions (LxWxD)	62 x 46 x 47 cm
Weight	24 kg
Type of fixation	See SYT
Environment	
Sealing	IP66
Operating temperature	- 20°C to + 50°C
Storage temperature	- 30°C to + 60°C
Option (see SYT)	
Cap, Cable pack, Joystick, Split box (vehicle connection box)	

FURTHER INFORMATION

- ▶ Available color: Black (anodized).
- ▶ Installation and control: See SYT
 - Local control
 - Remote control
 - Networking of multiple systems possible